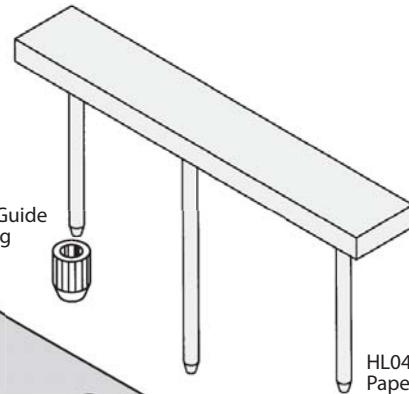
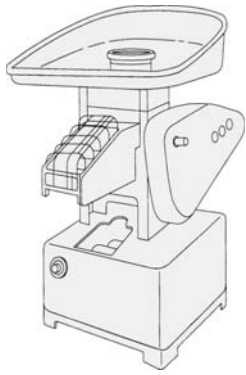




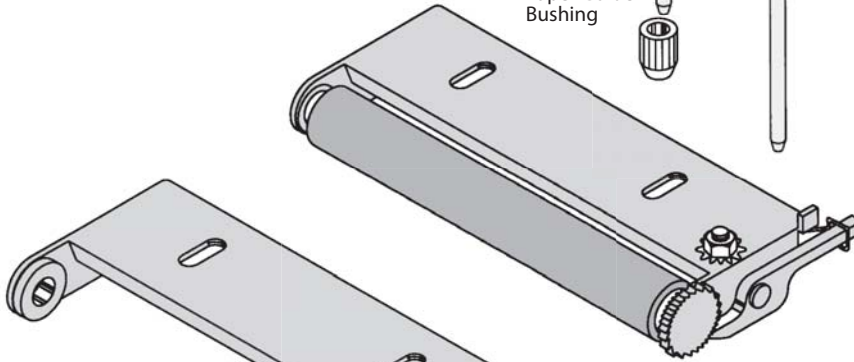
# HOLLYMATIC® Model 54 "Super" Patty Machine



HL044  
Paper Guide

HL043  
Paper Guide  
Bushing

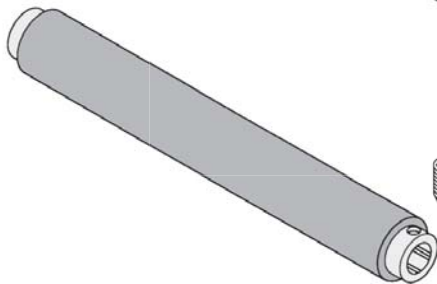
HL040  
Paper Plate Shaft



HL066A  
Paper Pick-Up  
Assy - Complete  
- Includes all  
pictured items



HL073  
Pawl Spring

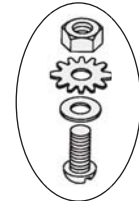


HL068  
Paper Roller with  
Set Screw



HL069  
Set Screw

HL067  
Paper Pick-Up  
Sub-Assy  
- Includes Pawl &  
Bushings



HL074  
Pawl Spring Hardware  
- Includes Screw, Washers & Nut



HL041  
Paper Plate  
Shaft Bushing -  
Bronze



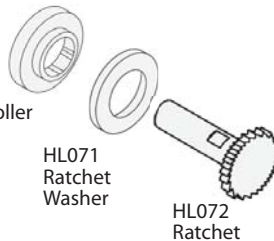
HL053  
Paper Plate  
Shaft Bushing -  
Plastic



HL042  
Bushing Spacer



HL070  
Paper Roller  
Bushing



HL071  
Ratchet  
Washer

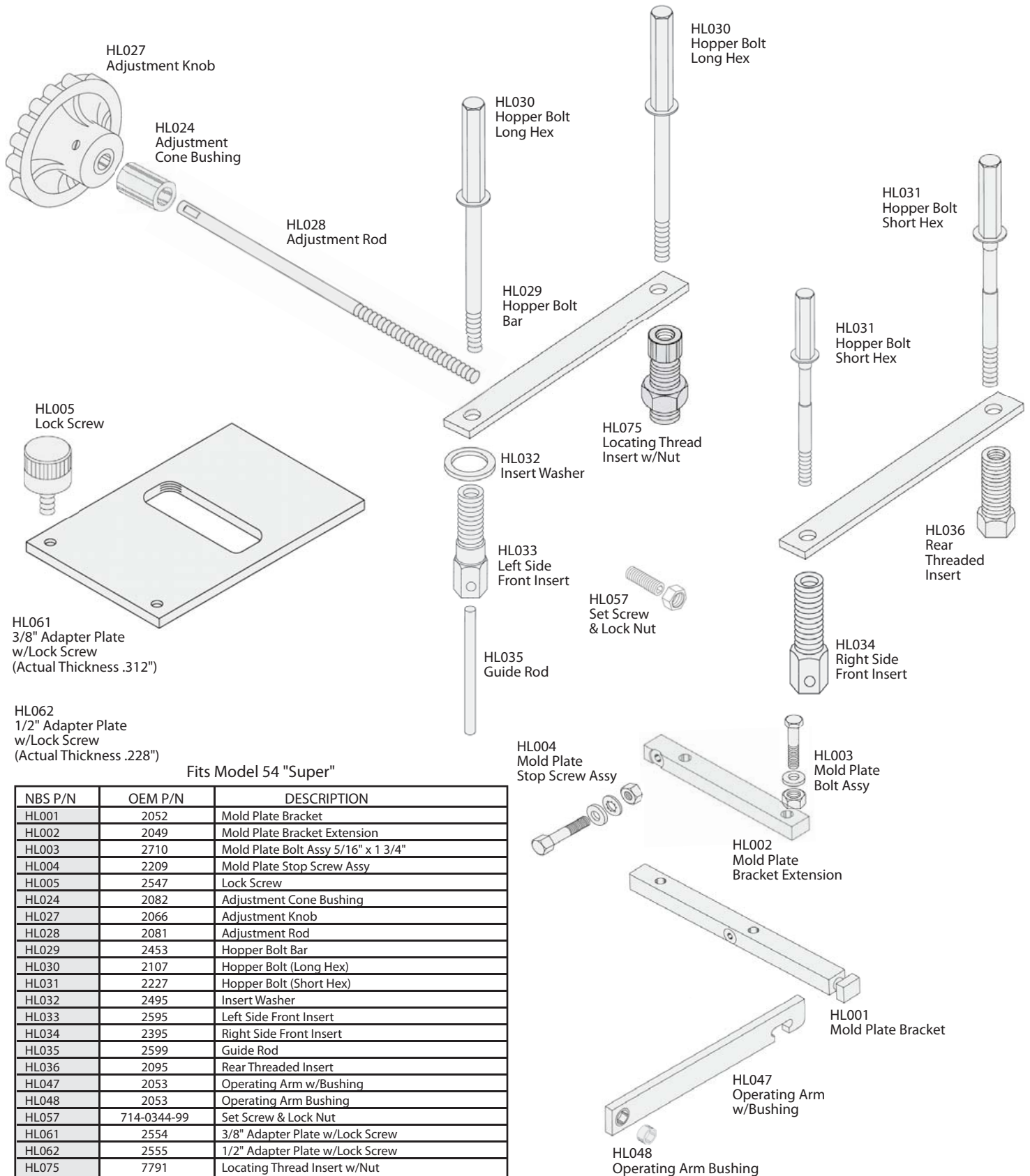
HL072  
Ratchet

NBS P/N	OEM P/N	DESCRIPTION
HL040	2087	Paper Plate Shaft
HL041	2454	Paper Plate Shaft Bushing - Bronze
HL042	2173	Bushing Spacer
HL043	2072	Paper Guide Bushing
HL044	2210	Paper Guide
HL053	2454	Paper Plate Shaft Bushing - Plastic
HL066A	2377	Paper Pick-Up Roller Assy - Complete
HL067	2386	Paper Pick-Up Roller Sub-Assy
HL068	2380	Paper Roller with Set Screw
HL069	712-0140-99	Set Screw
HL070	2374	Paper Roller Bushing
HL071	2382	Ratchet Washer
HL072	2373	Ratchet
HL073	2384	Pawl Spring
HL074	2484	Pawl Spring Hardware

Hollymatic is a registered Trade Mark of the Hollymatic Corporation.

The above described parts are supplied by National Band Saw Company as replacement parts for Hollymatic® equipment.

# HOLLYMATIC® Model 54 "Super" Patty Machine

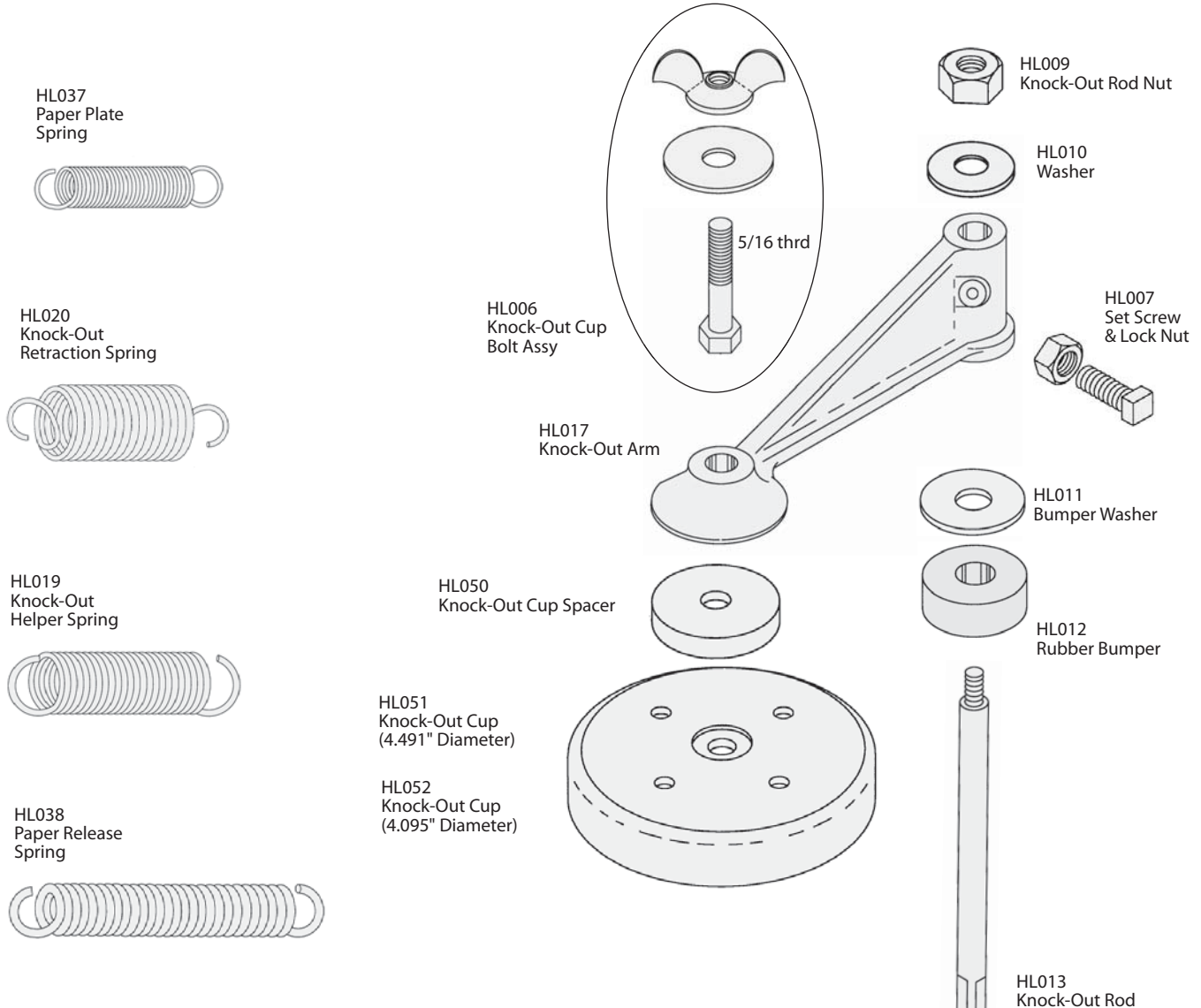


NBS P/N	OEM P/N	DESCRIPTION
HL001	2052	Mold Plate Bracket
HL002	2049	Mold Plate Bracket Extension
HL003	2710	Mold Plate Bolt Assy 5/16" x 1 3/4"
HL004	2209	Mold Plate Stop Screw Assy
HL005	2547	Lock Screw
HL024	2082	Adjustment Cone Bushing
HL027	2066	Adjustment Knob
HL028	2081	Adjustment Rod
HL029	2453	Hopper Bolt Bar
HL030	2107	Hopper Bolt (Long Hex)
HL031	2227	Hopper Bolt (Short Hex)
HL032	2495	Insert Washer
HL033	2595	Left Side Front Insert
HL034	2395	Right Side Front Insert
HL035	2599	Guide Rod
HL036	2095	Rear Threaded Insert
HL047	2053	Operating Arm w/Bushing
HL048	2053	Operating Arm Bushing
HL057	714-0344-99	Set Screw & Lock Nut
HL061	2554	3/8" Adapter Plate w/Lock Screw
HL062	2555	1/2" Adapter Plate w/Lock Screw
HL075	7791	Locating Thread Insert w/Nut

Hollymatic is a registered Trade Mark of the Hollymatic Corporation.  
The above described parts are supplied by National Band Saw Company as replacement parts for Hollymatic® equipment.



# HOLLYMATIC® Model 54 "Super" Patty Machine



Fits Model 54 "Super"

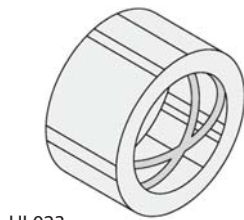
NBS P/N	OEM P/N	DESCRIPTION
HL006	2182	Knock-Out Cup Bolt Assy
HL007	716-0732-93	Set Screw & Lock Nut
HL009	736-0052-23	Knock-Out Rod Nut
HL010	1224	Washer
HL011	2159	Bumper Washer
HL012	2238	Rubber Bumper
HL013	2348	Knock-Out Rod
HL014	2069	Knock-Out Rod Upper Bushing
HL017	2061	Knock-Out Arm
HL019	2111	Knock-Out Helper Spring
HL020	500-0556	Knock-Out Retraction Spring
HL037	2093	Paper Plate Spring
HL038	2076	Paper Release Spring
HL050	910-1224	Knock-Out Cup Spacer
HL051	910-1221	Knock-Out Cup 4.491" Diameter
HL052	910-1215	Knock-Out Cup 4.095" Diameter

Hollymatic is a registered Trade Mark of the Hollymatic Corporation.

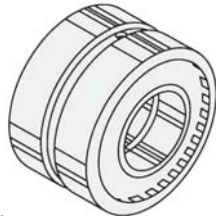
The above described parts are supplied by National Band Saw Company as replacement parts for Hollymatic® equipment.

# HOLLYMATIC®

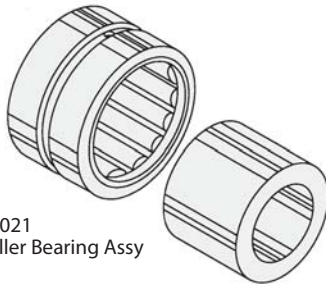
## Model 54 "Super" Patty Machine



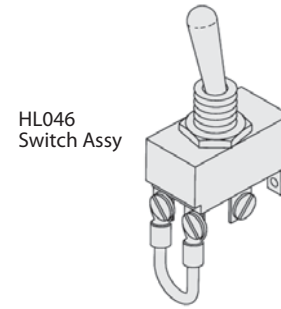
HL023  
Main Shaft Bushing



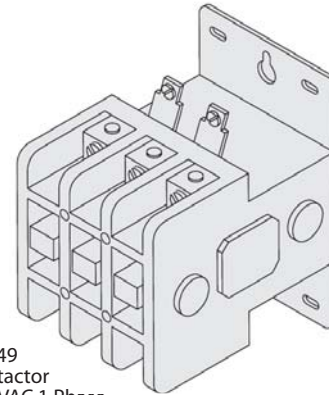
HL026  
Main Shaft Bearing



HL021  
Roller Bearing Assy



HL046  
Switch Assy



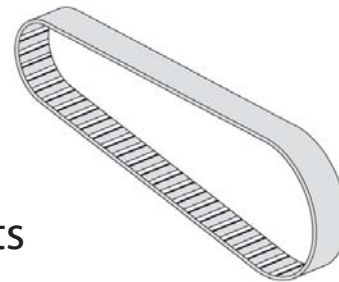
HL049  
Contactor  
110 VAC 1 Phase

Fits Model 54 "Super"

NBS P/N	OEM P/N	DESCRIPTION
HL021	2457	Roller Bearing Assy
HL023	2102	Main Shaft Bushing
HL026	2002	Main Shaft Bearing
HL046	7147	Switch Assy
HL049	7727	Contactor, 110 VAC 1 Phase

## BELTS

### Drive Belt & Paper Feed Timing Belts



Fits Model 54 "Super"

NBS P/N	OEM P/N	DESCRIPTION	LENGTH
HL045	2161	Standard Drive Belt	L = 24"
HL076	7856	Paper Feed Belt, 95T, .08 Pitch	L = 7 5/8"
HL077	7860	Paper Feed Belt, 50T, .02 Pitch	L = 10"
HL078	7861	Paper Feed Belt, 75T, .02 Pitch	L = 15"
HL079	7862	Paper Feed Belt, 85T, .02 Pitch	L = 17 1/4"
HL080	7863	Paper Feed Belt, 55T, .02 Pitch	L = 11"

Hollymatic is a registered Trade Mark of the Hollymatic Corporation.

The above described parts are supplied by National Band Saw Company as replacement parts for Hollymatic® equipment.