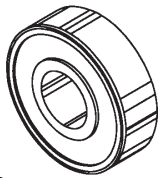
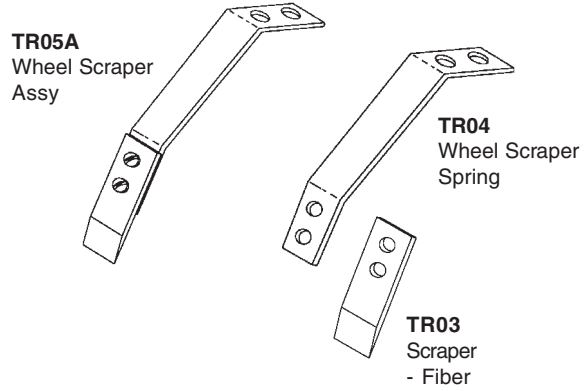
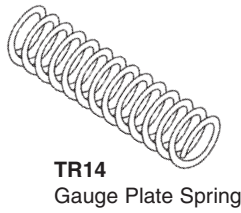
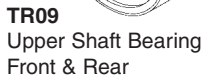
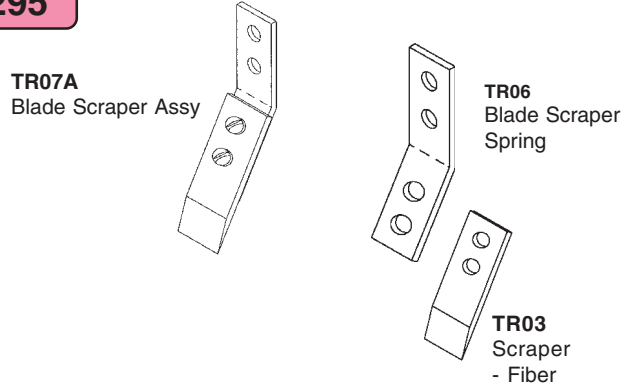
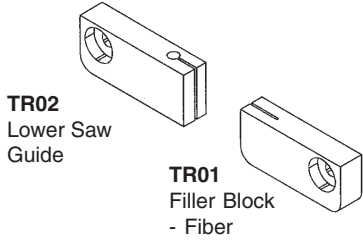
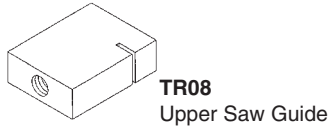


FITS ST-295



TRRK-2 REPAIR KIT

TR08
Upper Saw Guide

TR02
Lower Saw Guide

TR01
Filler Block

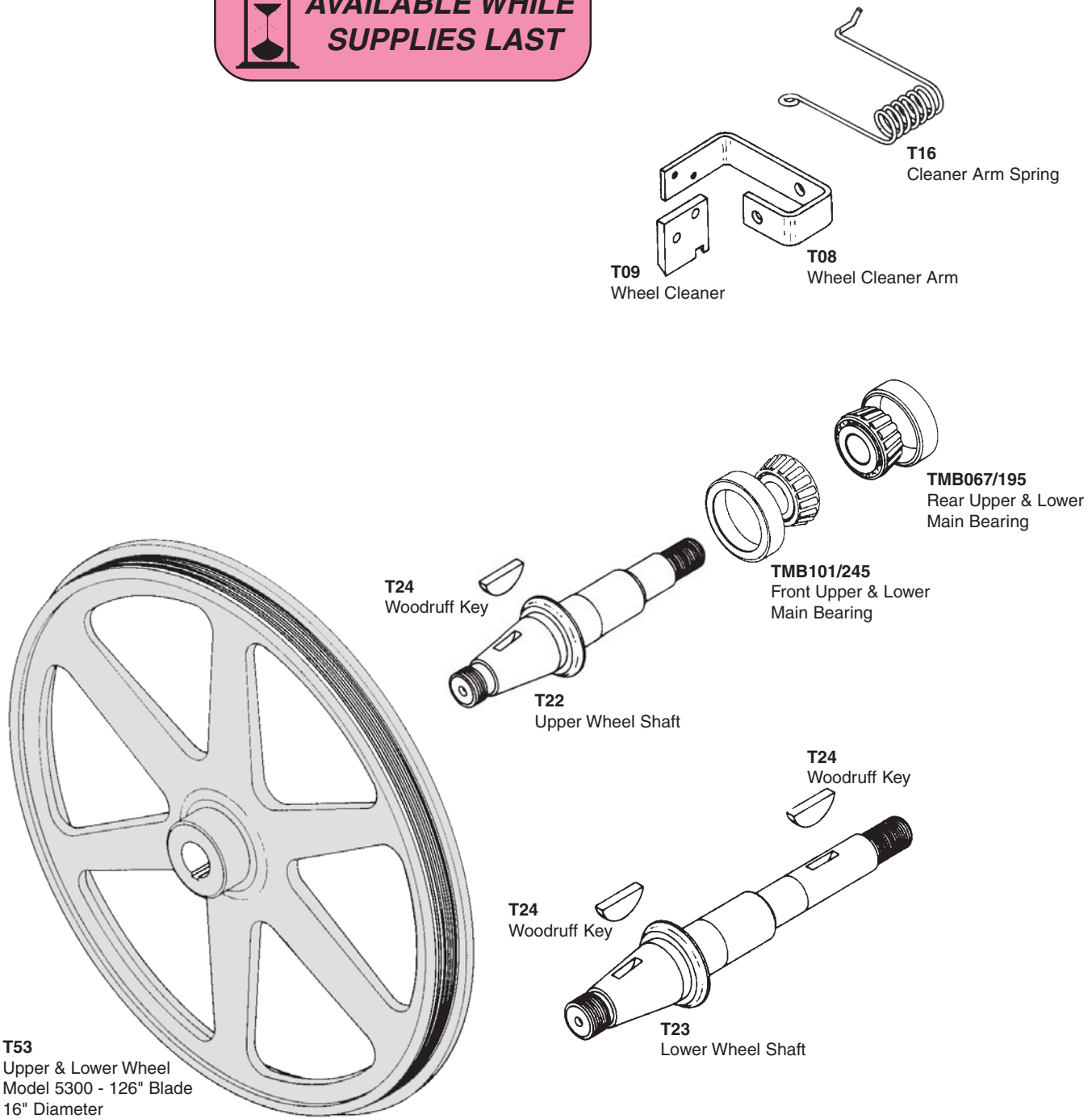
TR03
Scraper

| NBS P/N | OEM P/N | DESCRIPTION |
|---------|----------|----------------------------|
| TR01 | 05-70140 | Filler Block - Fiber |
| TR02 | 05-70512 | Lower Saw Guide |
| TR03 | N/A | Scraper - Fiber |
| TR04 | N/A | Wheel Scraper Spring |
| TR05A | N/A | Wheel Scraper Assy |
| TR06 | N/A | Blade Scraper Spring |
| TR07A | N/A | Blade Scraper Assy |
| TR08 | 05-70835 | Upper Saw Guide |
| TR09 | 05-00185 | Upper Shaft Bearing |
| TR10 | 05-00282 | Upper Shaft Retaining Ring |
| TR11 | 05-00186 | Lower Shaft Bearing |
| TR12 | 05-00283 | Lower Shaft Retaining Ring |
| TR13 | N/A | Carriage Wheel Bearing |
| TR14 | N/A | Gauge Plate Spring |
| TR15 | 05-71295 | Slide Bar Lock Knob |
| TRRK2 | N/A | Repair Kit |

THE ABOVE DESCRIBED PARTS ARE REPLACEMENT PARTS FOR TORREY EQUIPMENT



 **AVAILABLE WHILE SUPPLIES LAST**



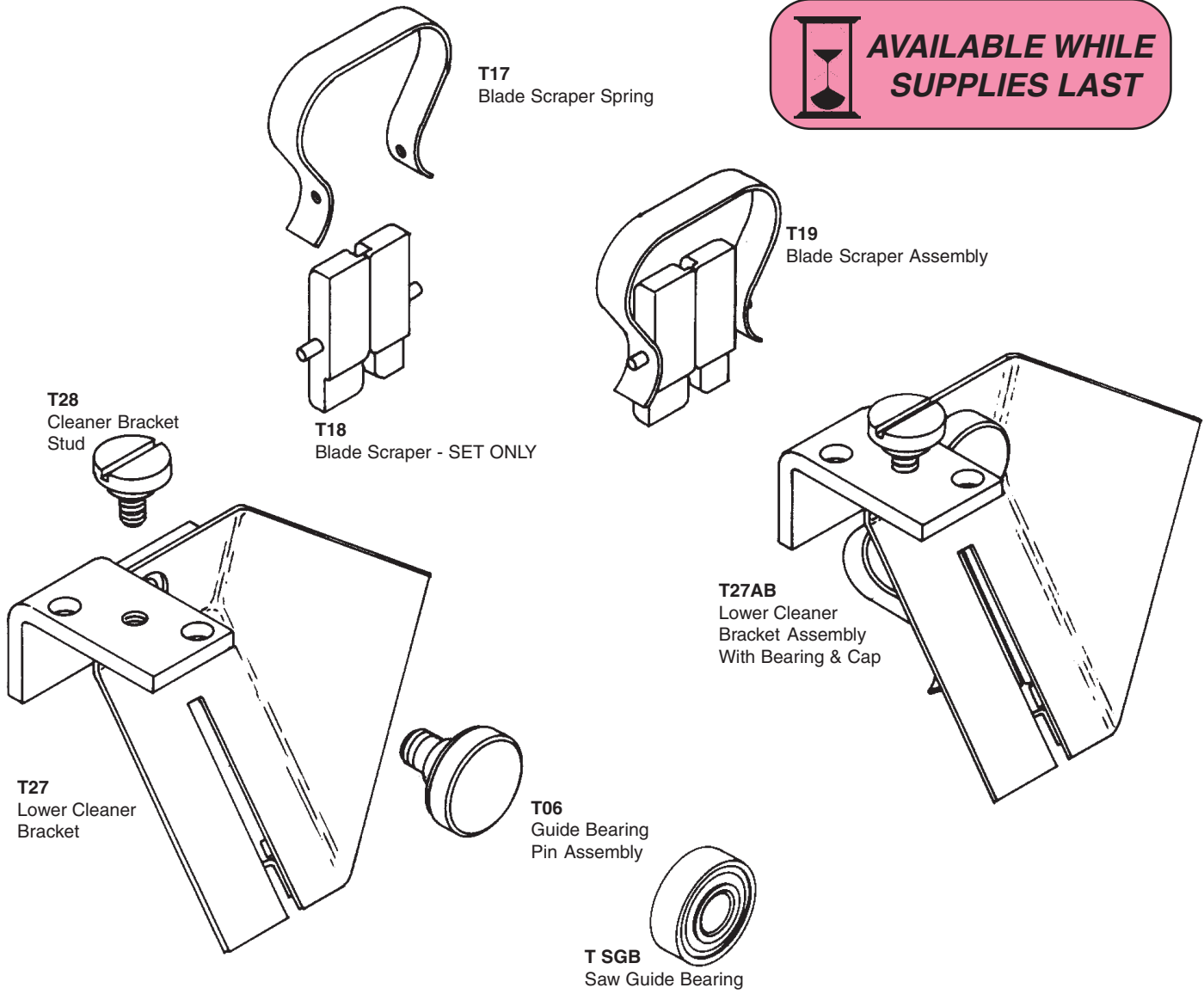
FITS MODELS

| NBS P/N | OEM P/N | DESCRIPTION | 5206 | 5300 |
|------------|---------|--|------|------|
| TMB067/195 | 41392 | Rear Upper & Lower Main Bearing | X | X |
| TMB101/245 | 41561 | Front Upper & Lower Main Bearing | X | X |
| T08 | 42466 | Wheel Cleaner Arm | X | X |
| T09 | 42465 | Wheel Cleaner | X | X |
| T16 | 42467 | Cleaner Arm Spring | X | X |
| T22 | 42006 | Upper Wheel Shaft | X | X |
| T23 | 42010 | Lower Wheel Shaft | X | X |
| T24 | 41683 | Woodruff Key | X | X |
| T53 | 42026 | Upper or Lower Wheel Model 5300 - 126" Blade | | X |

The above described parts are supplied by **National Band Saw Company** as replacement parts for **Toledo** equipment.



 **AVAILABLE WHILE SUPPLIES LAST**

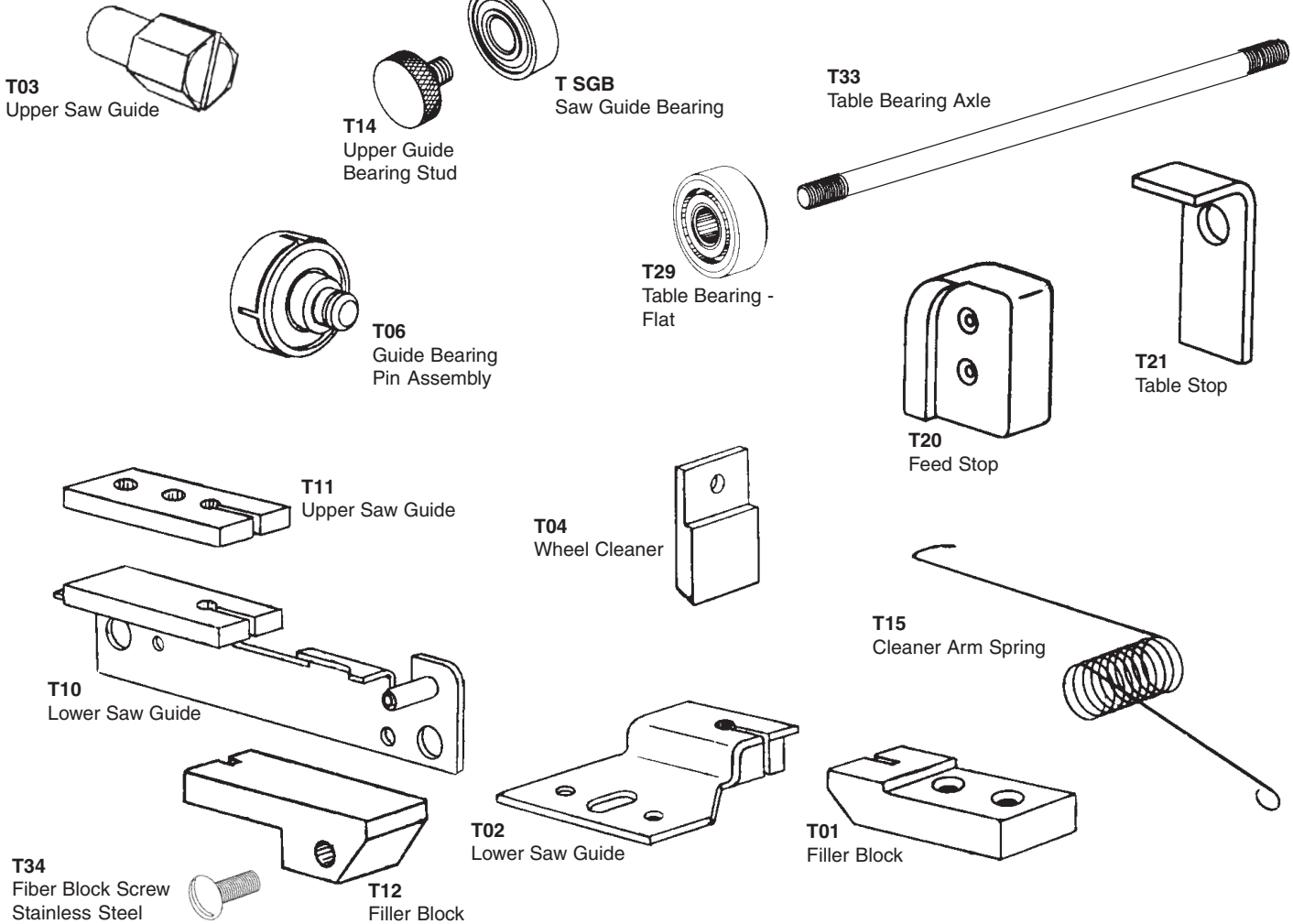


| NBSP/N | OEM P/N | DESCRIPTION | FITS MODELS | |
|--------|---------|---|-------------|------|
| | | | 5206 | 5300 |
| T SGB | | Saw Guide Bearing | X | X |
| T06 | 41472 | Guide Bearing Pin Assembly | X | X |
| T17 | 42457 | Blade Scraper Spring | X | X |
| T18 | 42455 | Blade Scraper - SET ONLY | X | X |
| T19 | | Blade Scraper Assembly | X | X |
| T27 | 42449 | Lower Cleaner Bracket | X | X |
| T27AB | | Lower Cleaner Bracket Assembly With Bearing & Cap | X | X |
| T28 | 42649 | Cleaner Bracket Stud | X | X |

The above described parts are supplied by **National Band Saw Company** as replacement parts for **Toledo** equipment.



AVAILABLE WHILE SUPPLIES LAST



FITS MODELS

| NBS P/N | OEM P/N | DESCRIPTION | 5200 | 5201 | 5206 | 5300 |
|---------|---------|----------------------------|------|------|------|------|
| T SGB | 44976 | Saw Guide Bearing | X | X | X | X |
| T01 | 40313 | Filler Block | X | | | |
| T02 | 41740 | Lower Saw Guide | X | | | |
| T03 | 40497 | Upper Saw Guide | X | | | |
| T04 | 41406 | Wheel Cleaner | X | X | | |
| T06 | 41472 | Guide Bearing Pin Assembly | X | X | X | |
| T10 | 42051 | Lower Saw Guide | | X | X | X |
| T11 | 42038 | Upper Saw Guide | | X | X | X |
| T12 | 45883 | Filler Block | | X | X | X |
| T14 | 41960 | Upper Guide Bearing Stud | X | X | X | X |
| T15 | 40417 | Cleaner Arm Spring | X | X | | |
| T20 | | Feed Stop | | | X | X |
| T21 | | Table Stop | | | X | X |
| T29 | 40532 | Table Bearing - Flat | | X | X | X |
| T31 | 40309 | Door Spring | | | X | X |
| T32 | | Neck Door Latch | | | X | X |
| T33 | | Table Bearing Axle | | | X | X |
| T34 | R-1236 | Fiber Block Screw | | X | X | X |

The above described parts are supplied by **National Band Saw Company** as replacement parts for **Toledo** equipment.

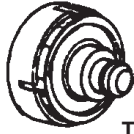


 **AVAILABLE WHILE
SUPPLIES LAST**

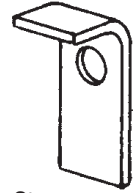
**TRK-1
Toledo Repair Kit**
Models 5201, 5206 & 5300



T SGB
Saw Guide Bearing



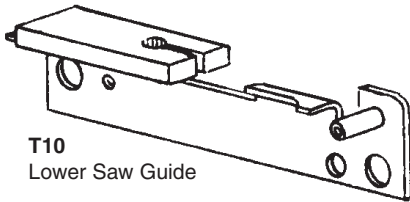
T06
Guide Bearing
Pin Assembly



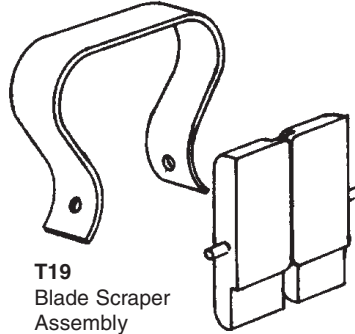
T21
Table Stop



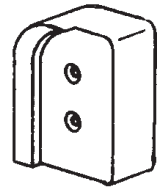
T11
Upper Saw Guide



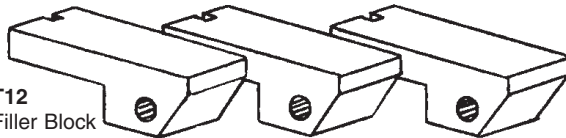
T10
Lower Saw Guide



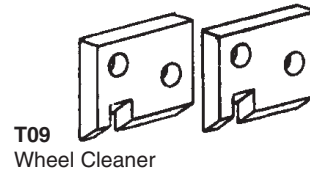
T19
Blade Scraper
Assembly



T20
Feed Stop



T12
Filler Block

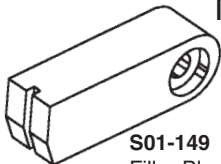


T09
Wheel Cleaner

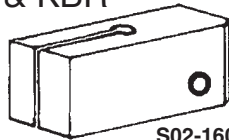
 **AVAILABLE WHILE
SUPPLIES LAST**

WELLS
Wells / Jarvis Buster
P-760 or HD080

SANITARY
Models KB & KBR

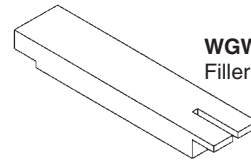
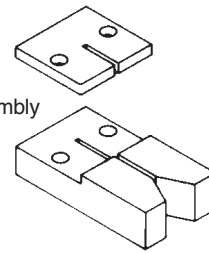


S01-149
Filler Block



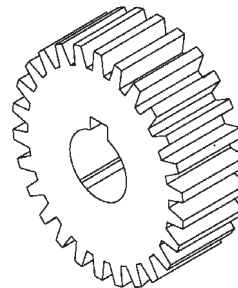
S02-160
Lower Saw Guide

WGW-1A
Guide & Filler Assembly



WGW-3
Filler Block

FITS MODELS S & L



WGW-2
PINION GEAR
5/8" BORE
PLASTIC

WGW-4
PINION GEAR
3/4" BORE
PLASTIC

| NBS P/N | OEM P/N | DESCRIPTION |
|---------|--------------------|---------------------|
| S01-149 | | Filler Block |
| S02-160 | | Lower Saw Guide |
| WGW-1A | N/A | Guide & Filler Assy |
| WGW-2 | 1026044 (6307 5/8) | Pinion Gear 5/8" |
| WGW-3 | | Filler Block |
| WGW-4 | 1026045 (6307 3/4) | Pinion Gear 3/4" |

Miscellaneous

We have a limited supply of guide, scrapers, bearings, etc. for obsolete Doall, Kleen Cut and other saws - Please inquire for price and availability.

The above described parts are supplied by **National Band Saw Company** as replacement parts for **Toledo, Sanitary** and **Wells** equipment.

