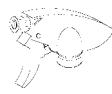


# LUBRICANTS

Our mineral oils are the highest food grade available. They meet or exceed requirements set forth by the U.S. FDA. Certified as Kosher with the Union of Jewish Congregations of America



**L14**  
Grease  
Food Grade  
13 Ounce Cartridge

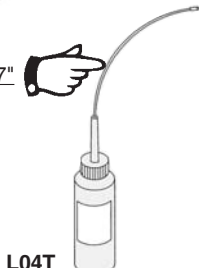


**L01**  
Spray Head  
Fits -16 Ounce Bottle

Extends 7"



**L04**  
Mineral Oil  
4 Ounce Bottle  
w/Dropper Top



**L04T**  
Mineral Oil  
4 Ounce Bottle  
w/Telescoping Nozzle



**L16**  
Mineral Oil  
16 Ounce Bottle



**L02**  
Dropper Top  
Fits -16 Ounce Bottle



**L09**  
Spray Head  
Fits -32 Ounce Bottle

**L32**  
Mineral Oil  
32 Ounce Bottle



**L64**  
Mineral Oil  
64 Ounce Bottle

ON ORDERS OF 25 OR MORE OF ANY SIZE BOTTLES WE CAN AT NO CHARGE PRINT OUT LABELS THAT WILL IDENTIFY **YOUR** COMPANY NAME AND PHONE NUMBER.

QUANTITY PRICING IS AVAILABLE ON 1/2 GALLONS

## CLEANING BRUSHES

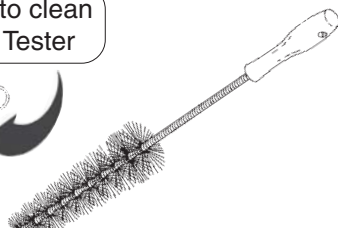
These two brushes are used to clean glassware in the Hobart Fat Tester



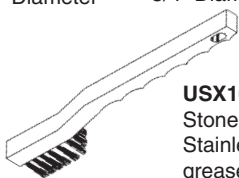
**MX101**  
Funnel  
Cleaning Brush  
6 1/2" Long  
1/4" Diameter



**MX102**  
Test tube  
Cleaning brush  
9" Long  
3/4" Diameter



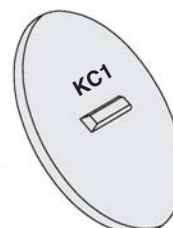
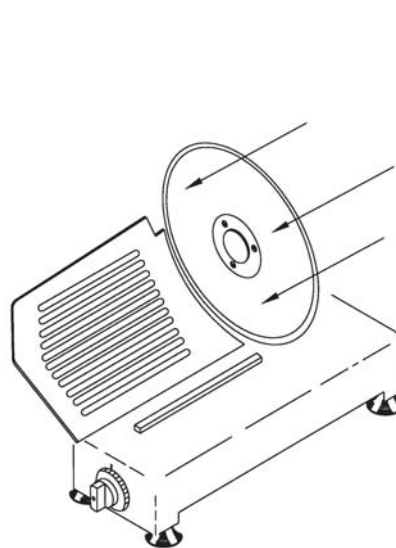
**MX100**  
Machine  
Cleaning Brush  
18" Long  
2" Diameter



**USX100**  
Stone Cleaning Brush  
Stainless steel wire brush helps to clean grease clogged sharpening stones

NBS P/N	OEM P/N	DESCRIPTION
L01	N/A	Spray Head - Fits 16 oz Bottle
L02	N/A	Dropper Top - Fits 16 oz Bottle
L04	N/A	Mineral Oil - 4 oz bottle (w/dropper top)
L04T	N/A	Mineral Oil - 4 oz bottle (with Telescoping Nozzle)
L09	N/A	Spray Head - Fits 32 oz Bottle
L14	N/A	Grease - 13 oz cartridge
L16	N/A	Mineral Oil - 16 oz bottle
L32	N/A	Mineral Oil - 32 oz bottle
L64	N/A	Mineral Oil - 64 oz bottle (1/2 gallon)
MX100	3675-0227	Machine Cleaning Brush
MX101	76368	Funnel Cleaning Brush
MX102	76367	Test Tube Cleaning Brush
USX100	N/A	Stone Cleaning Brush

## SLICER SAFETY COVERS



**KC1**  
Knife Safety Cover  
(Plastic) (NBS Lip design)  
11" & 12" Slicer Knives

**KC2**  
Knife Safety Cover  
(Plastic) (NBS Lip design)  
12 1/2" Slicer Knives

Don't let the exposed razor-sharp slicer knife become a hazard for the repairman and the slicer operator. Use the KC1 or KC2 safety covers to save FINGERS and \$\$\$\$.

NBS P/N	OEM P/N	DESCRIPTION	CAN BE USED ON MOST MANUFACTURERS SLICING MACHINES
KC1	N/A	Knife Safety Cover	
KC2	N/A	Knife Safety Cover	

The above described parts are supplied by National Band Saw Company as replacement parts for Hobart equipment.



